

LOAD CENTER
VOLTAGE: 240/120V
SERVICE FEEDER SIZE: 2-#4/0 & 1-#2/0

Circuit No.	Circuit Breakers Poles	Amps	200 AMP Main Service Breaker	Wiring No./ Size
1,3	2	50	Spare Spaces	
2,4	2	50	Junction box South side of building	
5,7	2	20	Junction box South side of building	
6,8	2	50	Water Heater	5 - #10
9,11	2	40	Outside Unit	5 - #8
10,12	2	60	Inside Air Handler Heat strips	5 - #6
13,15	2	50	Inside Air Handler	5 - #10
14	1	20	Shop Receptacles w/ AFC protection	5 - #12
16	1	20	Shop Receptacles w/ AFC protection	5 - #12
17	1	20	Work Shop General Lighting	5 - #12
18	1	20	Exit Lighting	5 - #12
19	1	20	Utility and Restroom AFC Receptacles	5 - #12
20	1	20	Office, Restroom, Mech Lighting & Washer recept	5 - #12
21	1	20	Implement Storage Lighting	5 - #12
22	1	20	Septic Holding Tank alarm	5 - #12
23	1	20	Implement Storage Receptacles	5 - #12
24	1	20	Office Receptacles w/ AFC Protection	5 - #12
25	1	20	Mechanical Room AFC Receptacle	5 - #12
26	1	20	Spare Breaker	
27	1	20	Spare Breaker	
28	1	20	Spare Breaker	
29	1	20	Spare Space	
30,32	2	50	Mechanical room Dryer receptacle	5 - #10
31	1	20	Spare Breaker	
33-42			Spare Spaces	

ELECTRICAL WIRING SYMBOLS

- ⊖ AFC Receptacle
- ⊕ Duplex Outlet, Split Circuit
- ⊖ Duplex Outlet
- ⊖ 50 Amp, 220 Volt Outlet
- ⊖ 30 Amp, 220 Volt Outlet
- ⊖ 30 Amp, 220 Volt Outlet (Dryer)
- Home Run / Circuit #
- ⊖ Water Heater
- ⊖ Telecommunications Outlet
- ⊖ Junction Box
- ⊖ Photo Cell
- ⊖ Exit lighting w/ batteries
- ⊖ Switch
- ⊖ Switch, 3 Way
- ⊖ Switch, 4 Way
- ⊖ Pressure Switch
- ⊖ Water Pump

RECEPTACLE & SWITCH MOUNTING HEIGHTS

Microwave	66"
Washer	36"
Dryer	36"
Office Receptacles and Telephone	18"
All switches and other receptacles	48"

MARK	QTY	LIGHTING SCHEDULE	MODEL
A	1	4" Integrated LED Recessed Round Baffle kit	LITHONIA 4JPK RD 50K 90CRI MW M6
B	4	2' x 4' LED Panel	SIMKAR LDP2450L40U1
C	9	15.25" x 22" 4 LAMP LED HIGH BAY	LITHONIA IBH15000LM 50080 MP OZIO 40K 80 CRI
D	0	15.25" x 22" 4 LAMP LED HIGH BAY	LITHONIA PHE15000LM F51 MP 40K 80 CRI
E	2	Security motion, Wall Mount, Outside Unit	HEATH ZENITH 9L-5630-BZ
F	2	Exit & Emergency combo light w/ batteries & remote head	LITHONIA ECRLEDPHO M6 w/ ELA LED WP MI2
G	1	24" LED wall mount	LITHONIA FMV19L 3000K
H	0	48" LED wall mount	LITHONIA FMV19L 3000K

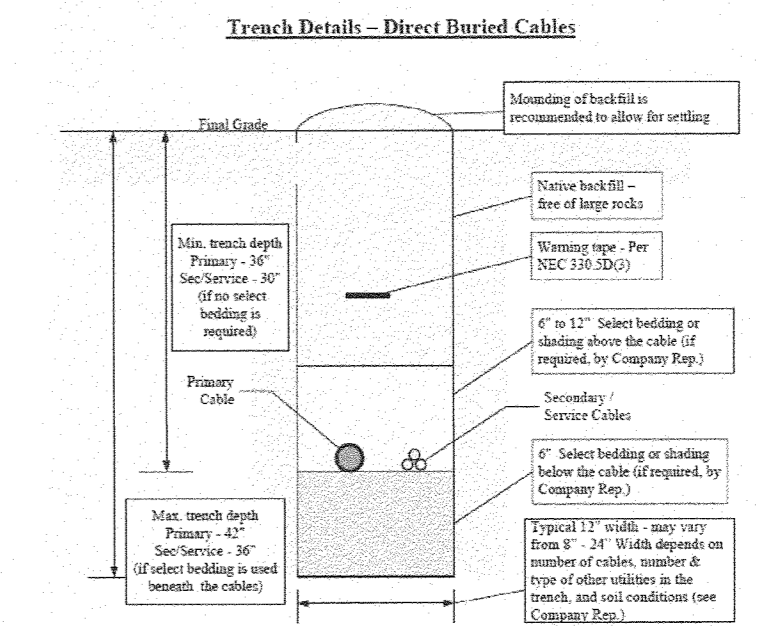
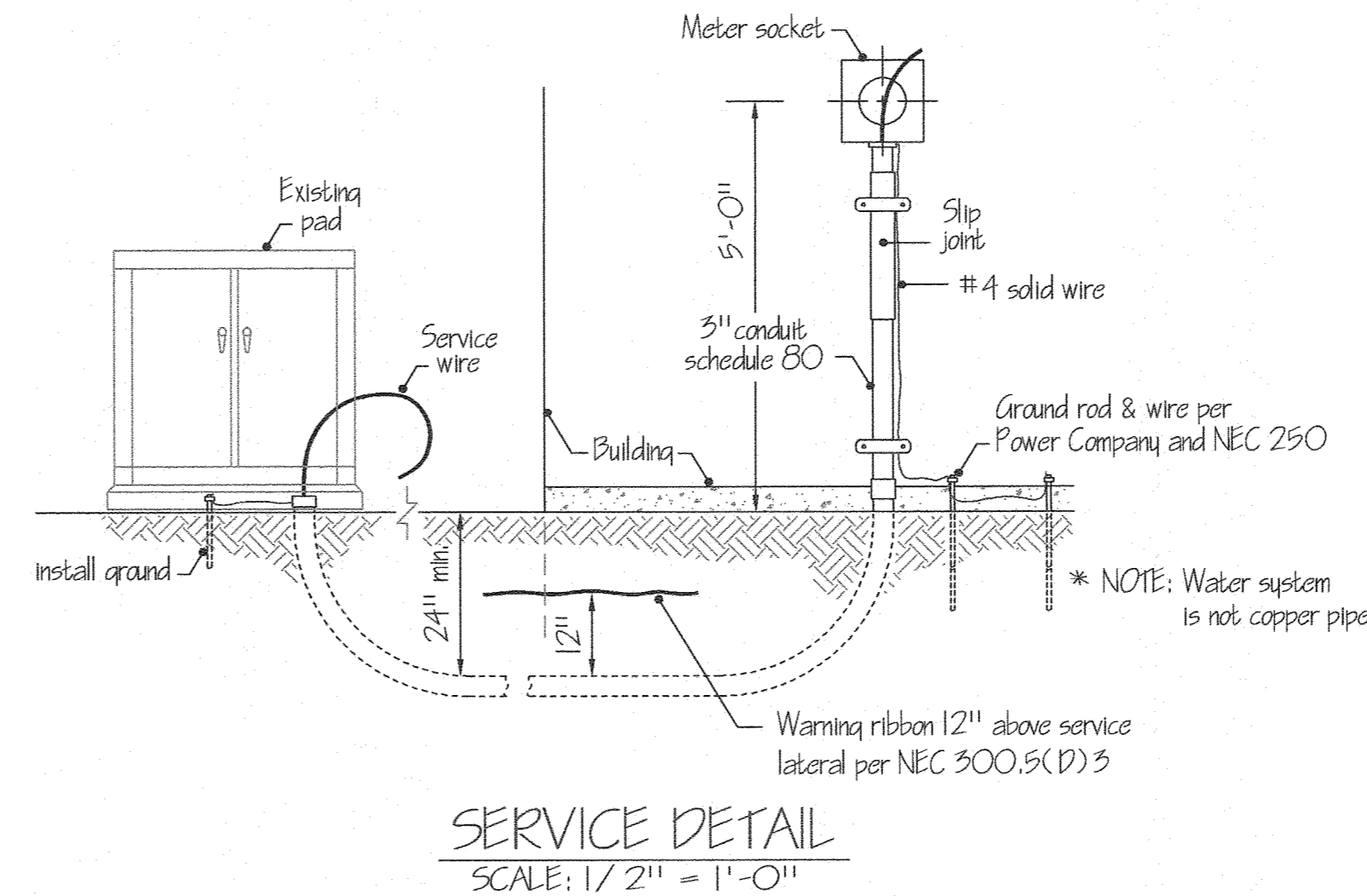
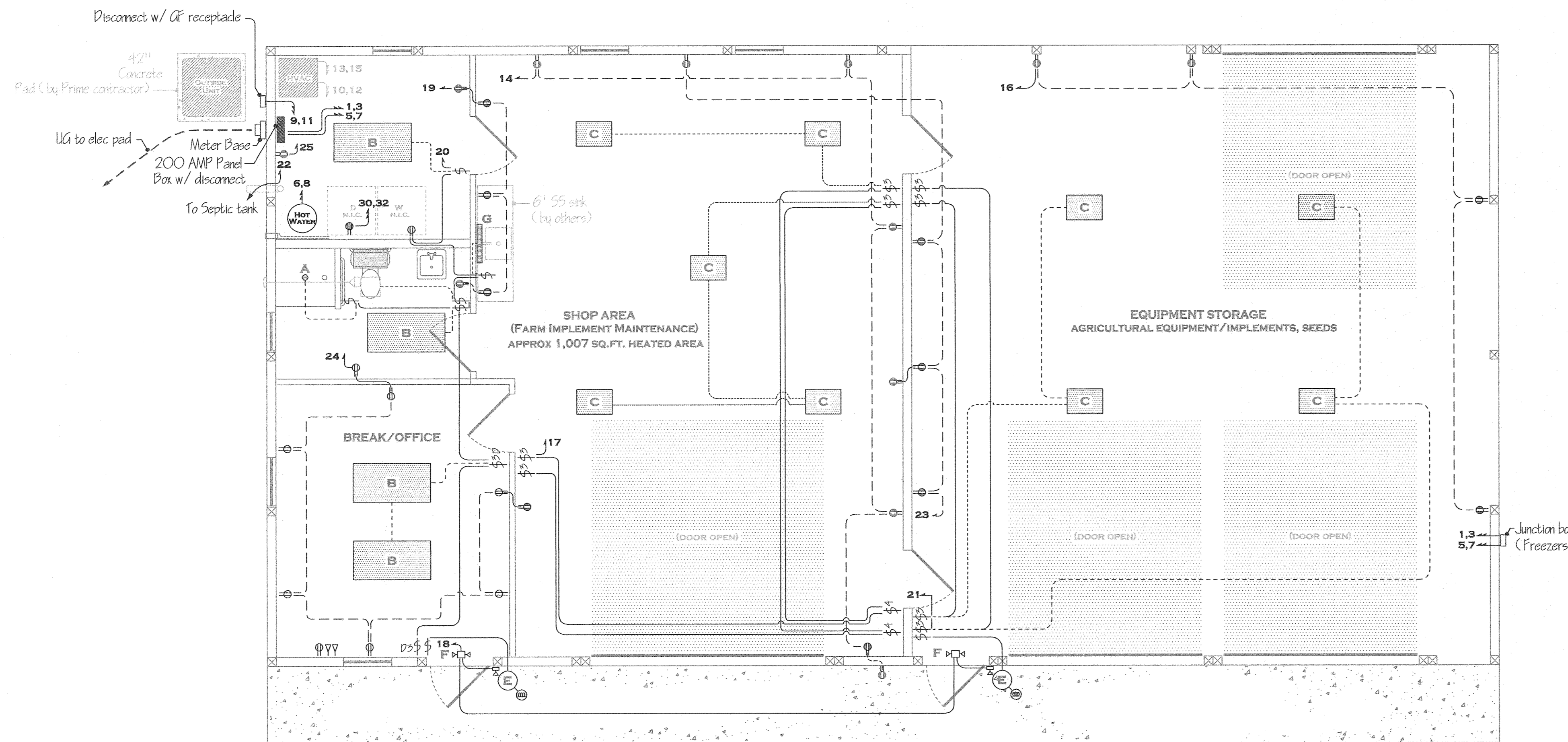


TABLE - MINIMUM COVER REQUIRED PER CODE (INCHES)

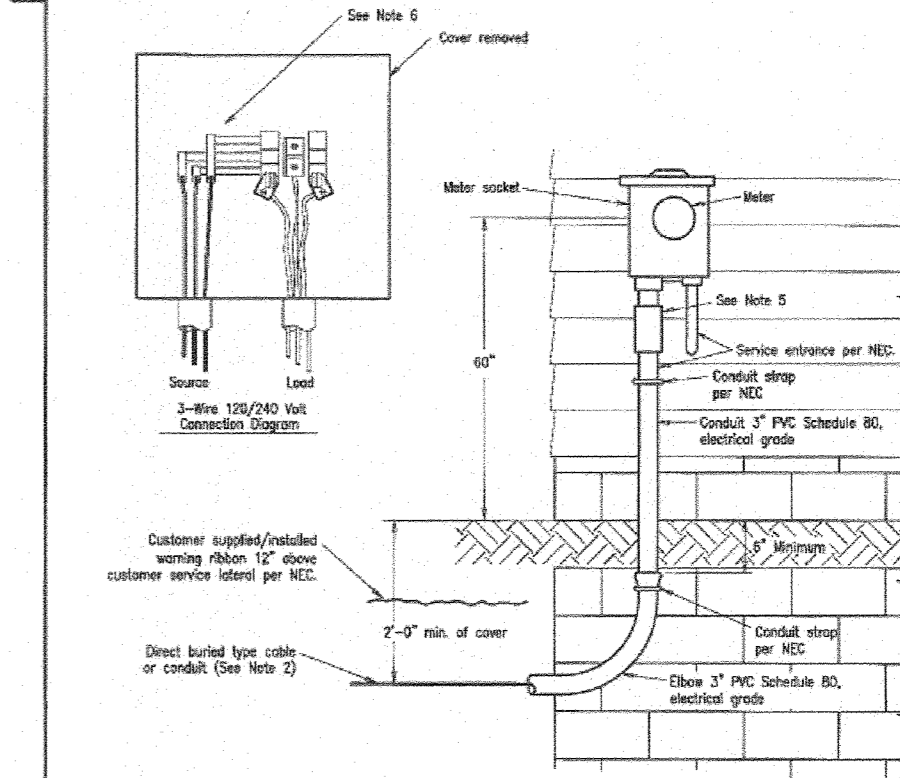
Owner / Code	Customer Installed Facilities / NEC (1)	Street / Road	Company / NEC
Voltage (kV)	Direct Buried	Rigid Metallic Conduit (RMC)	Rigid Nonmetallic Conduit (RNC)
0 - 600 V	24	6	18
> 600 V - 22 kV	36	6	18
> 22 kV - 40 kV	36	6	24

NOTES: (1) FECC typically requires an additional 6 inches of cover to allow for variation in final grade.
(2) For cables located beneath roads under Penn DOT jurisdiction, cables must be installed in conduit and have a minimum of 16 inches of cover.

TRENCH DETAILS FOR DIRECT BURIED CABLES



PLAN VIEW
SCALE: 1/4" = 1'-0"



- NOTES:
- For customer/company responsibilities, see Exhibit 1.
 - For trenching and conduit details, see Exhibit 24.
 - See Section 6.0 for underground service details.
 - Meter socket may be connected to external ground rods, if required by the local inspection authorities.
 - The customer shall provide a well tamped and firm trench (see Exhibit 24). The customer shall provide ground movement protection per NEC 300.5(C) to prevent damage due to settlement or frost heaves. The Company recommends that the customer use a slip-joint conduit product. Additionally, sufficient slack or a slack box should be provided by the customer to allow for cable movement. For a 3-inch dia. conduit installation, the Company recommends that the customer install a slip joint with an attached slack box.
 - Side-bussed meter socket only.

TYPICAL SINGLE-PHASE UNDERGROUND SERVICE LATERAL INSTALLATION 400 AMP OR LESS

COMMONWEALTH OF PENNSYLVANIA
REGISTERED PROFESSIONAL ENGINEER
FOSTER R. SCHAFER
No. PE030596-E
12/21/18

PENNSYLVANIA GAME COMMISSION

STATE GAME LANDS 073 N. WOODBURY TWP. BLAIR CO.

ELECTRIC DETAILS

REVISIONS	PROJECT NO. PGC-073-18-1
△	DRAWING NO. 073-ELECTRIC-3
△	DRAWN BY: JBM
△	DATE: 02-01-19
△	SHEET NO. 3 OF 5